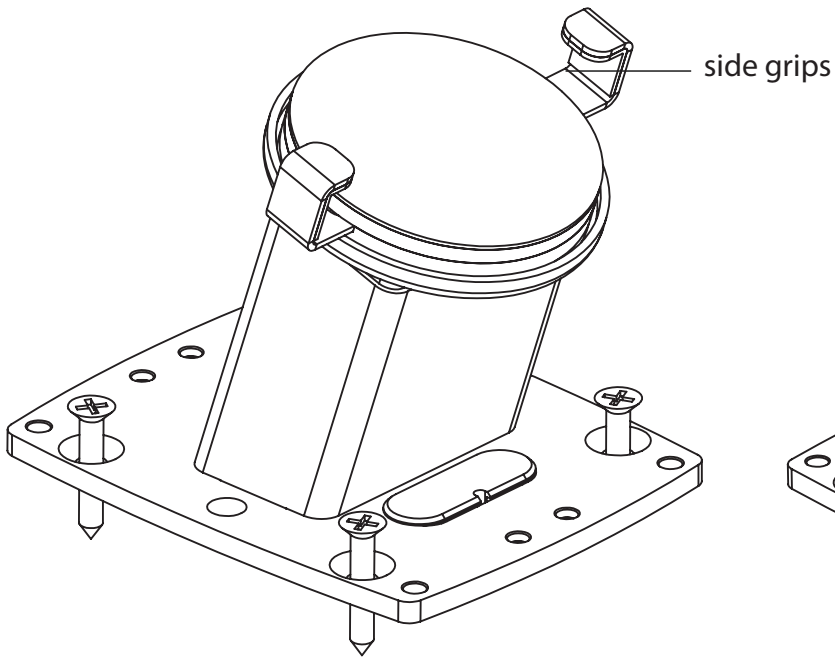
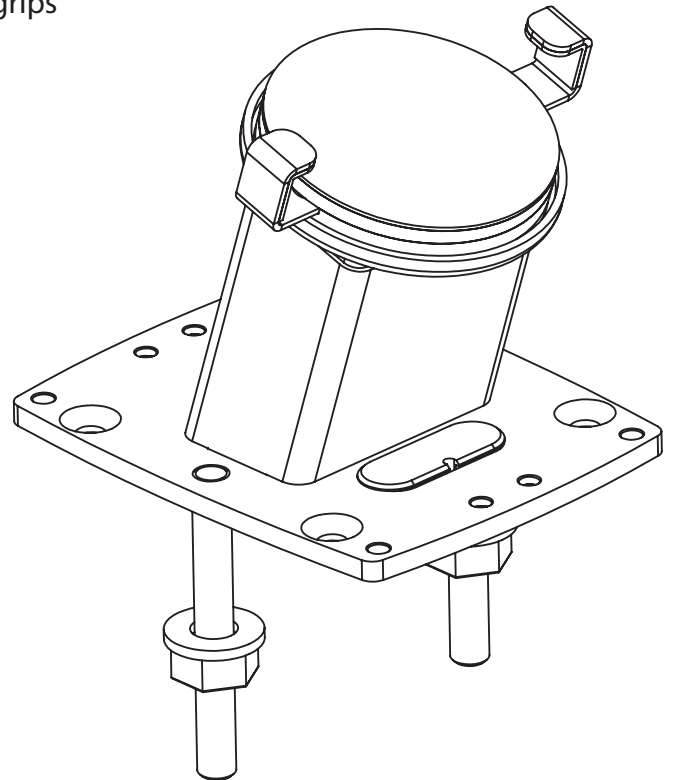


3 ways to mount the Gripzo V3

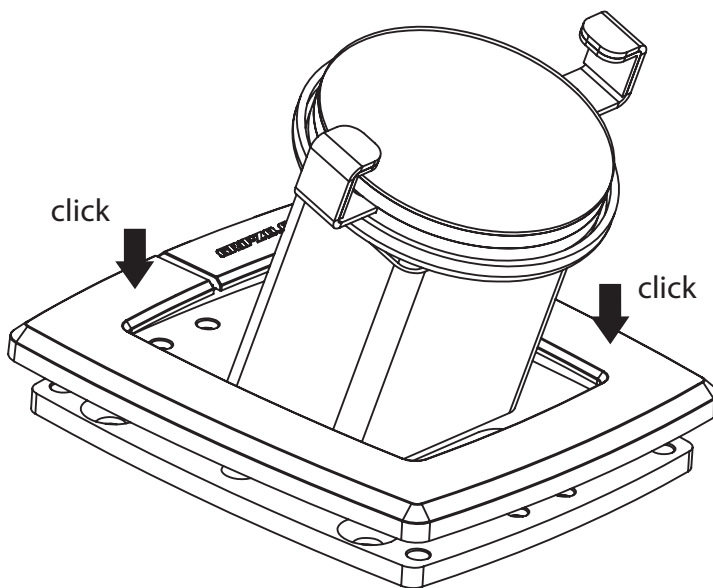


option 1.) Mount the screws through the baseplate.



option 2.) Mount the stud/bolt from underneath the display table into the baseplate. Secure with a screw / nut.

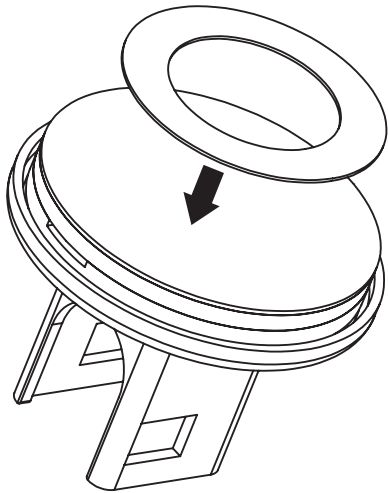
Note; make sure the bolts are level with the top of the baseplate and not through the baseplate.



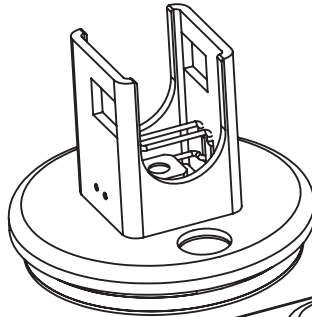
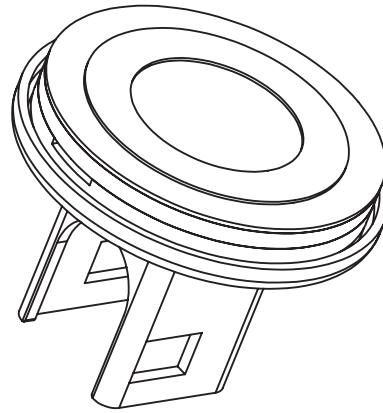
option 3.) Mount with strong self-adhesives in case drilling is not possible e.g. with glass surfaces.

Click the cover plate on.

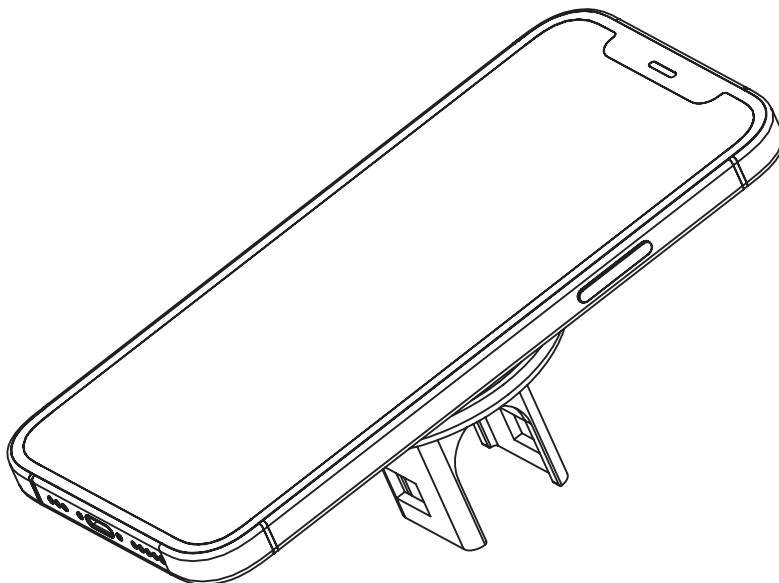
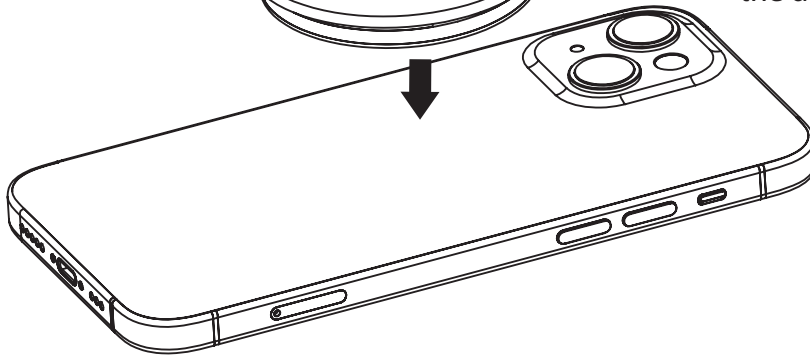
Correct use of the Gripzo V3



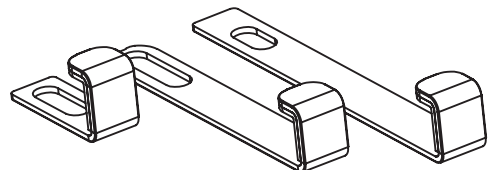
Place the sticker right in the middle of the disc.



Place the V3 disc to the back of the device.



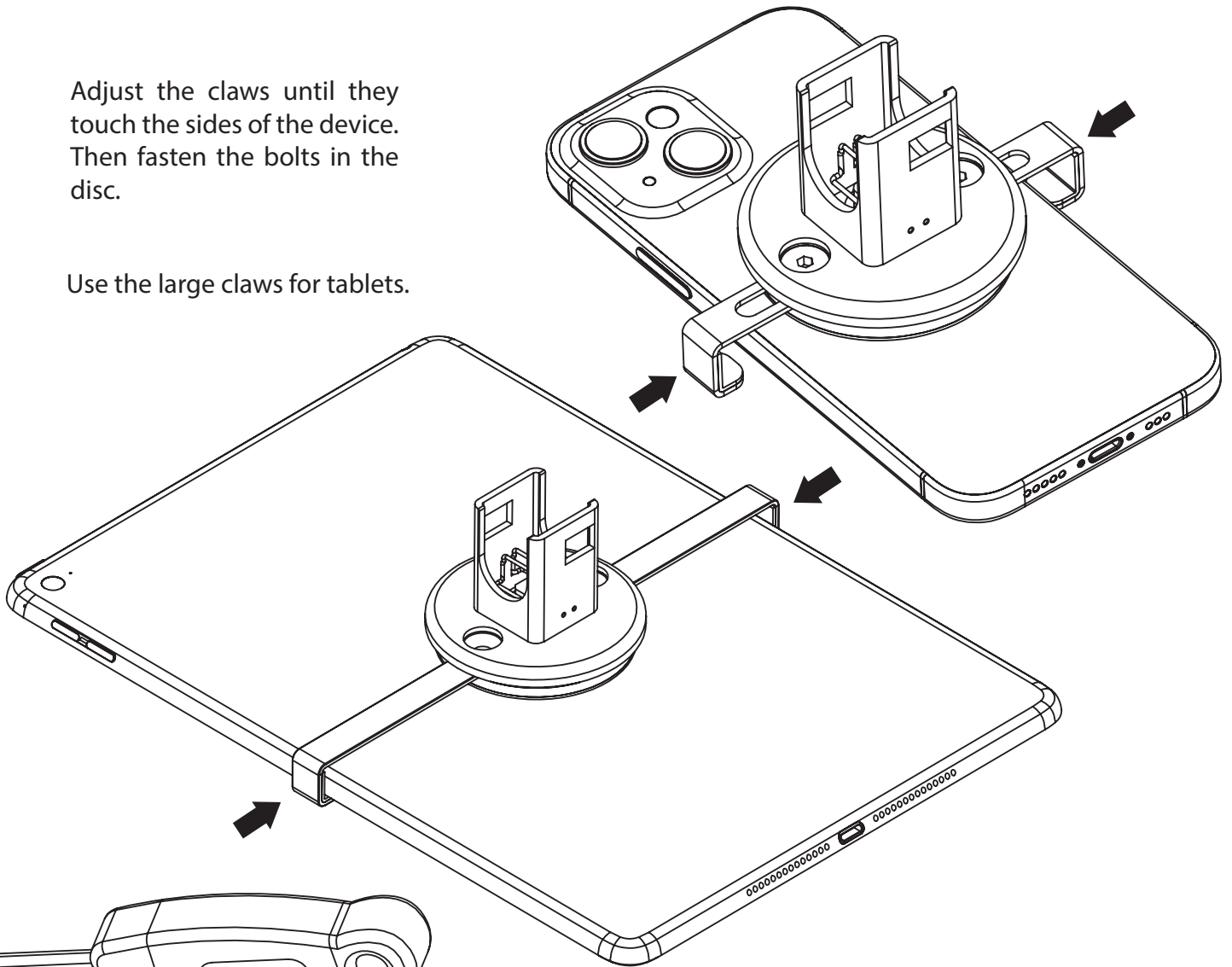
Choose the right clawset for your device and insert them into the openings of the disc.



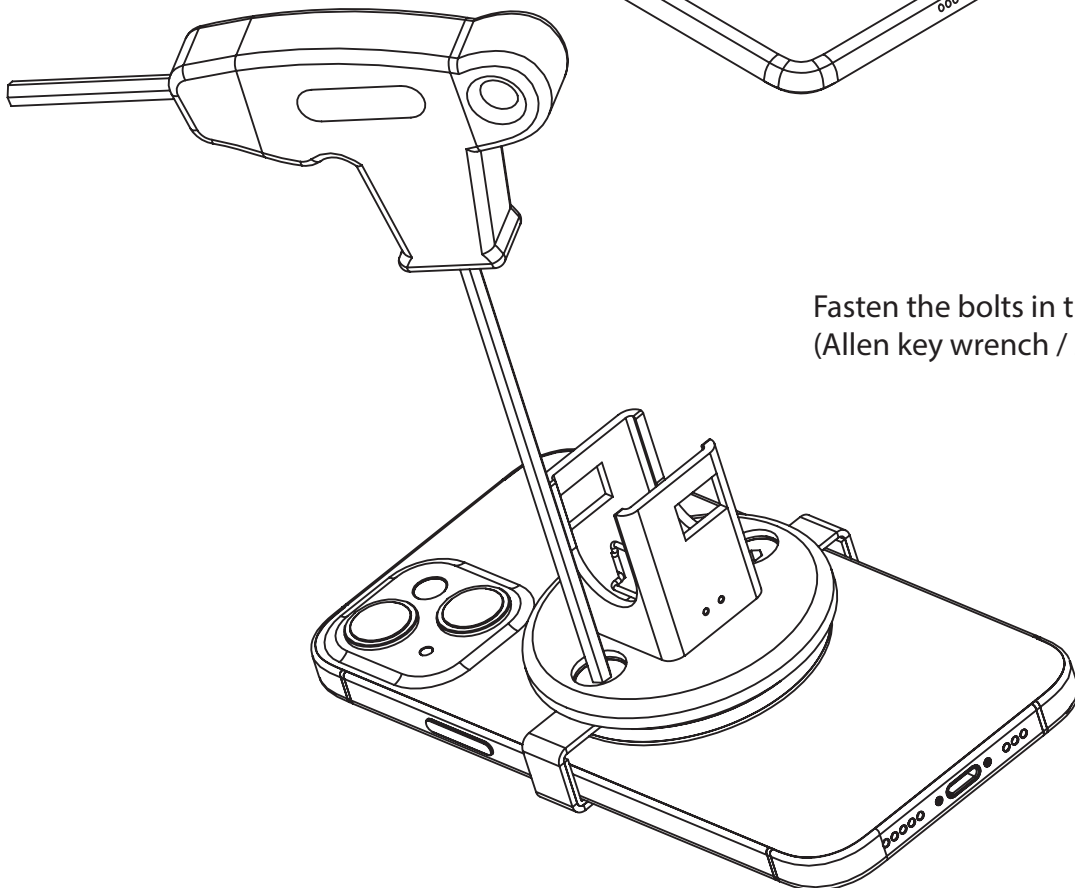
Correct use of the Gripzo V3

Adjust the claws until they touch the sides of the device. Then fasten the bolts in the disc.

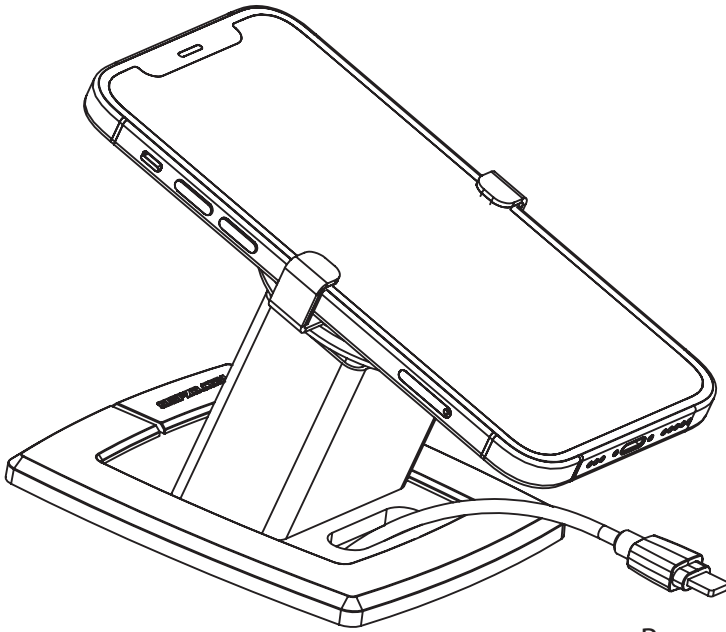
Use the large claws for tablets.



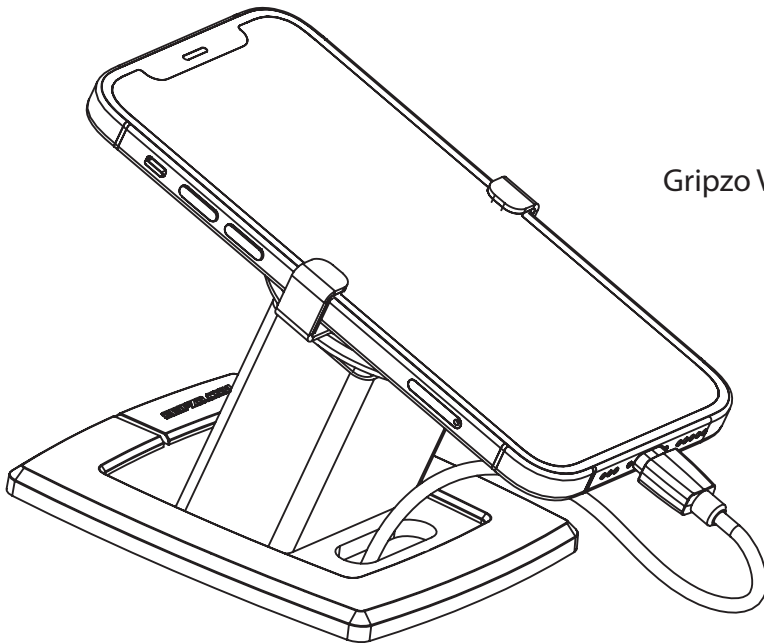
Fasten the bolts in the disc.
(Allen key wrench / screwdriver)



Implement charging cable - Gripzo V3



Remove small cap to lead charge cable properly to the device.

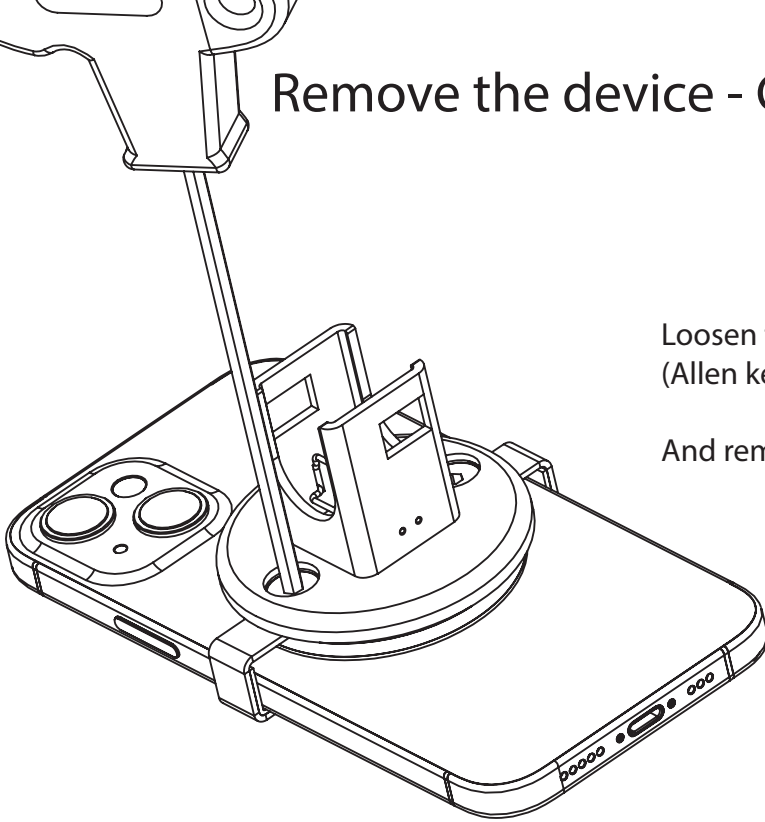


Gripzo V3 ready to use.

Remove the device - Gripzo V3

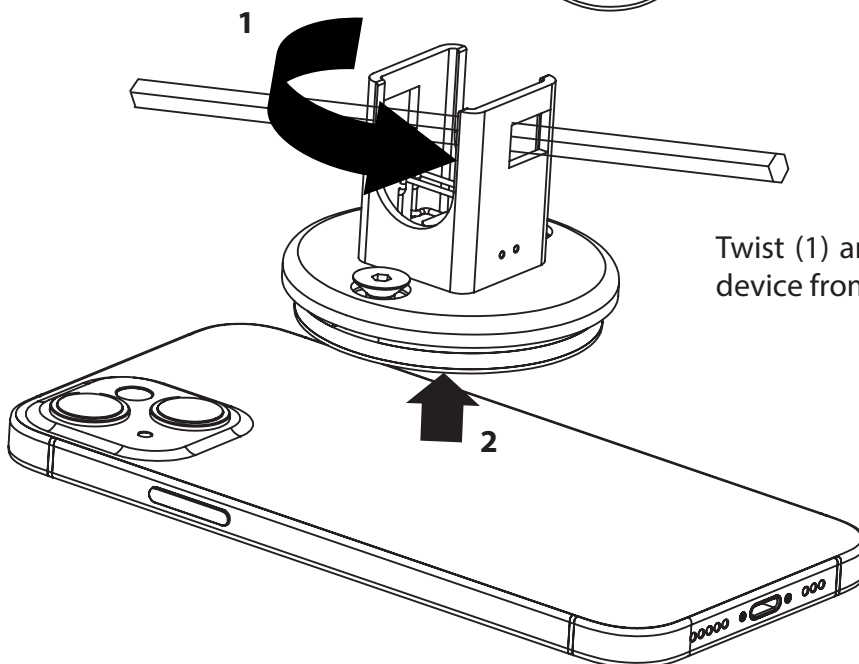
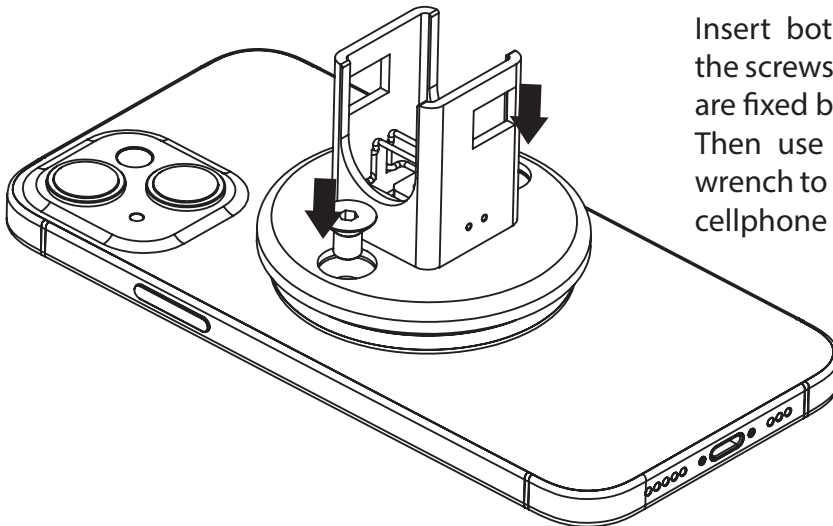
Loosen the bolts in the disc.
(Allen key wrench / screwdriver)

And remove both claws.



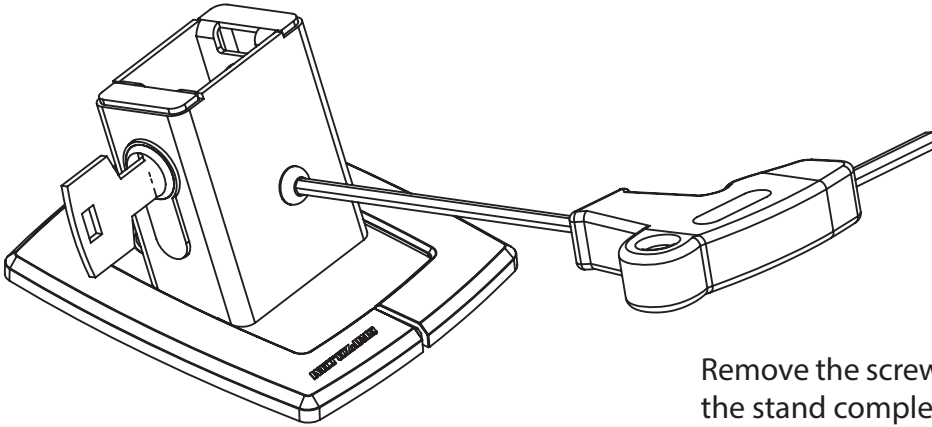
Insert both screws back again. Give the screws one twist to make sure they are fixed but no need to tighten them. Then use a metal pen or Allen key wrench to remove the disc off from the cellphone with some force.

Note that the screws will prevent the disc against turning while you force it.

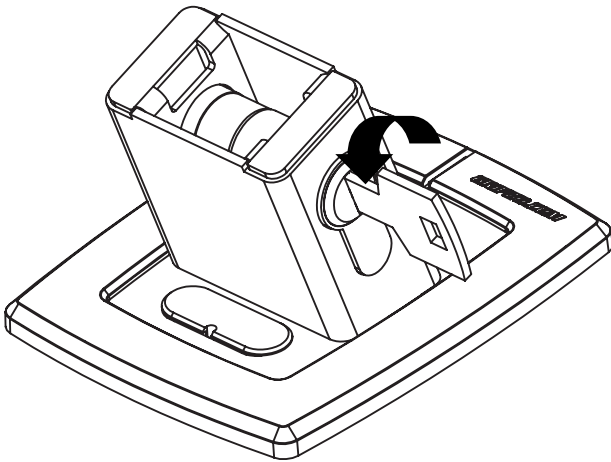


Twist (1) and remove (2) the device from the disc.

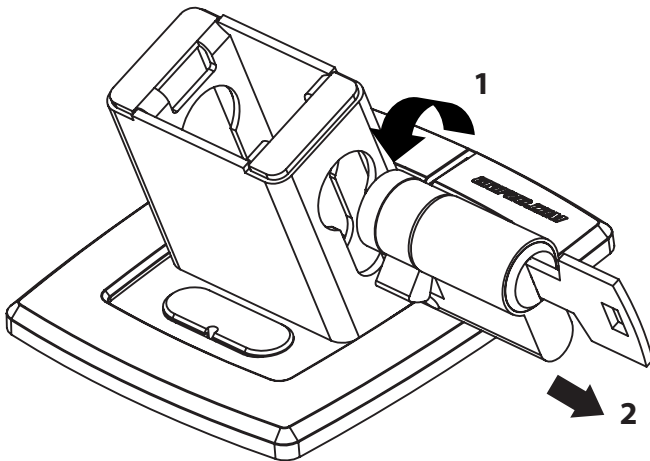
Changing the lock - Gripzo V3



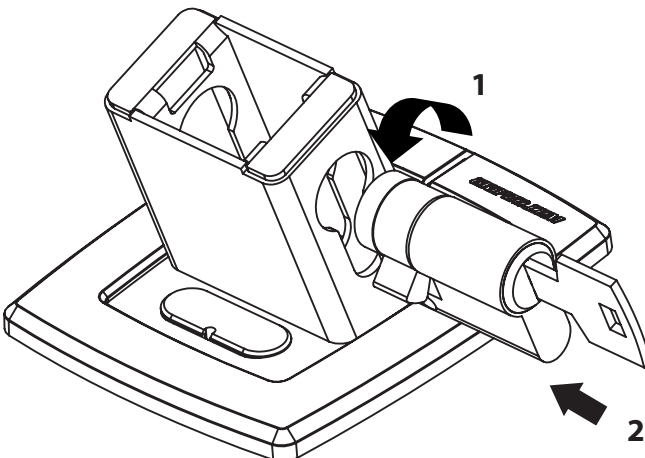
Remove the screw of the back of the stand completely.



Turn the key to the left.



Keep the key counterclockwise (1) and pull out the lock (2).



Place the new lock, keep the key counterclockwise (1) and push it into the opening (2). TIP ! Sometimes you need to wiggle a little bit and push.

Finally, put the locking screw back into the lock, in the back of the stand.