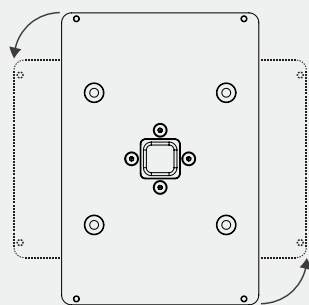
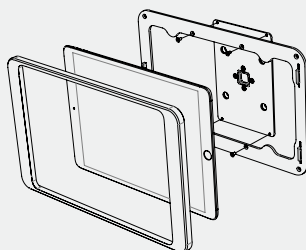


**Rotation Unit** is a simple solution for switching from vertical to horizontal position of the device.

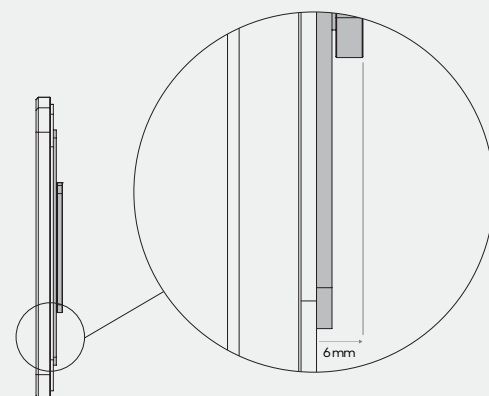
### Product characteristics



smooth vertical - horizontal reorientation



easy integration with Displine Wall products



only 6mm additional wall off-set

### Compatible devices and specifications

compatible devices	compatible with all Displine Wall products
material	robust steel and aluminium construction with polymer slide bearing
high/width/length	100/148/6
weight	0,258 kg

### Colours

standard

