

Colour:

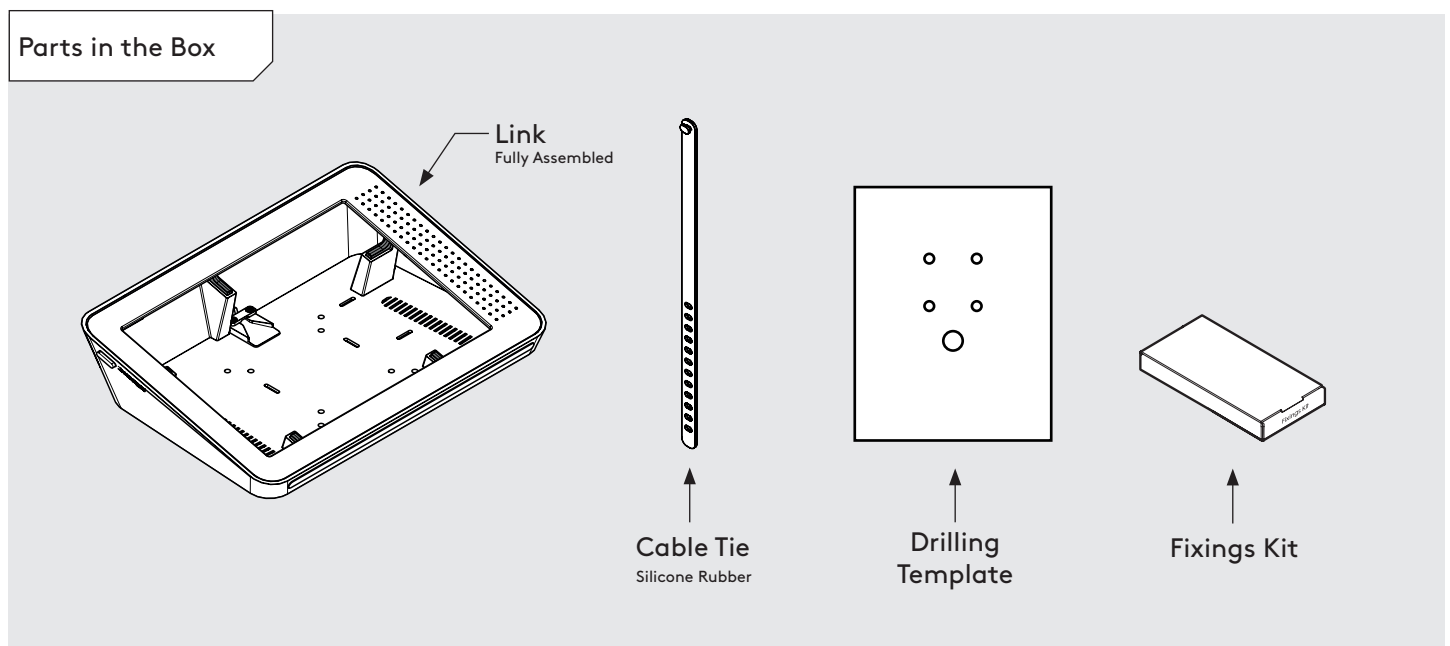
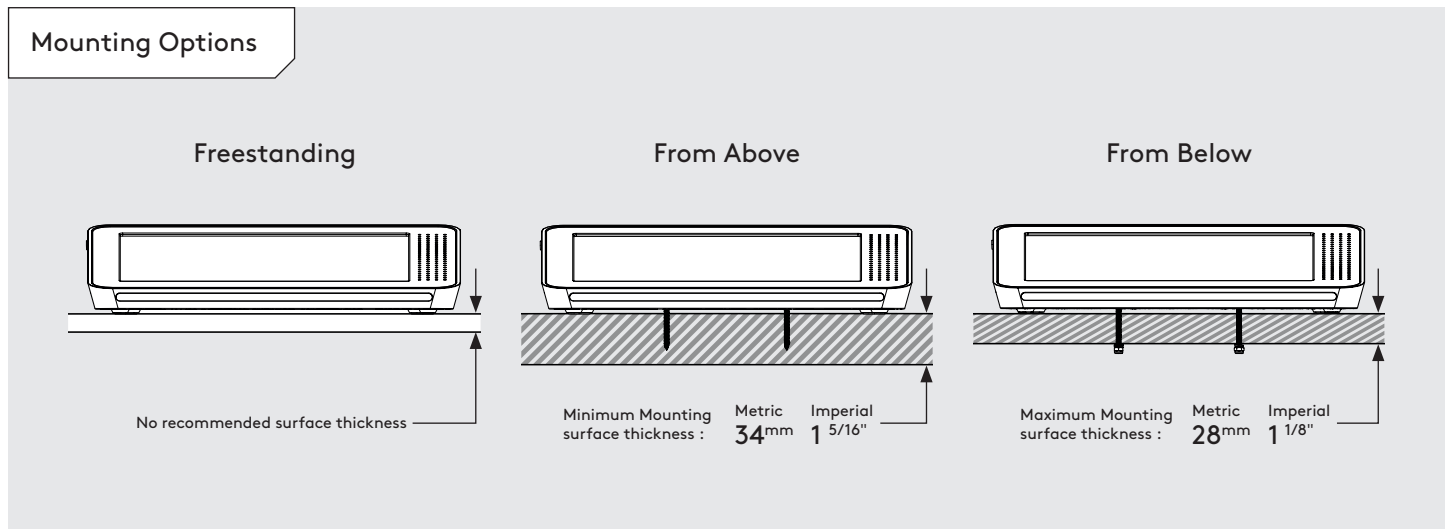
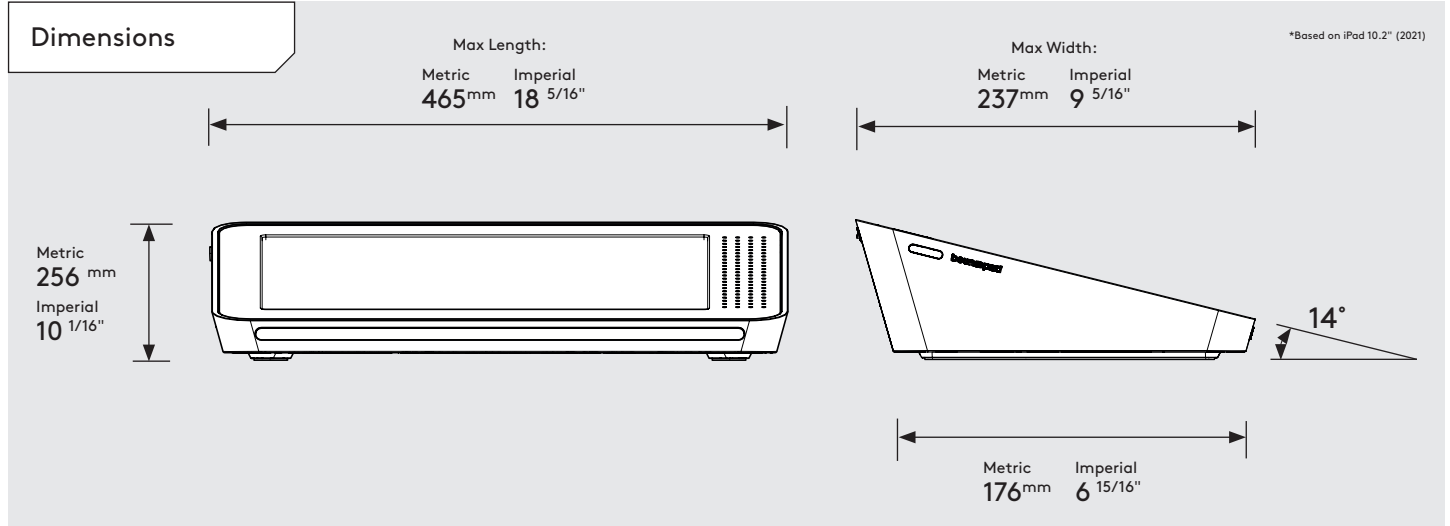
White
Black
Teal

Mounting:

Fixing from
**Above &
Below**

Packaged weight:

Link:
1.3kg



Link

meeting room controller



Contents

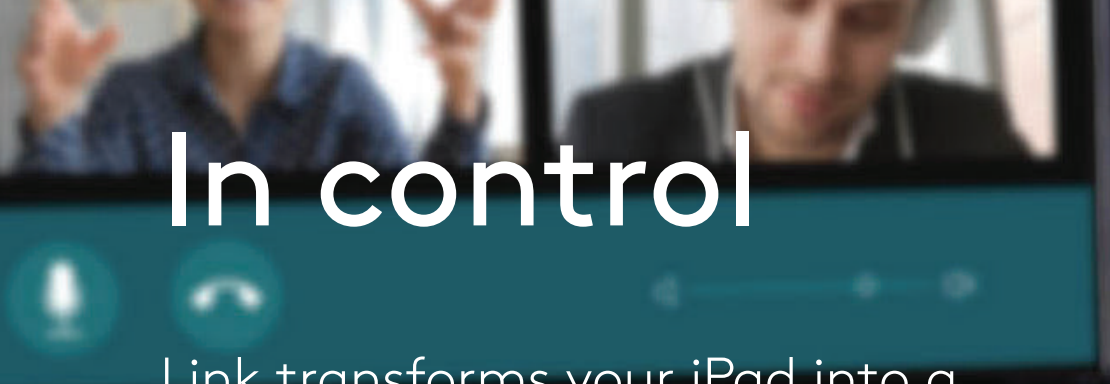
Key Features

In Control	4
PoE	5
Mount it Your Way	6
Screen Angle	7
Tablet Security	8
Kensington Lock	9
Feature Access	10
Materials	12
Colours	13

Key Features

In control

Link transforms your iPad into a meeting room controller, integrating seamlessly into your meeting room setup.



PoE

Redpark®, Texas PoE® and Belkin® Power over ethernet (PoE) devices can be securely held within the enclosure.



© 2019 Spotspot Ltd. (T/A Bouncepad) all rights reserved. Confidential, no part of this publication may be reproduced or transmitted in any form without the written permission of the copyright holder.

Mount it your way

Easily attach Link to walls or tables
with the provided fixings.



Screen Angle

14° keeps the tablet comfortable for typing and low profile on the meeting table



Tablet Security

Keep your tablet secure by locking the faceplate in place with 6 security screws.



Kensington Security

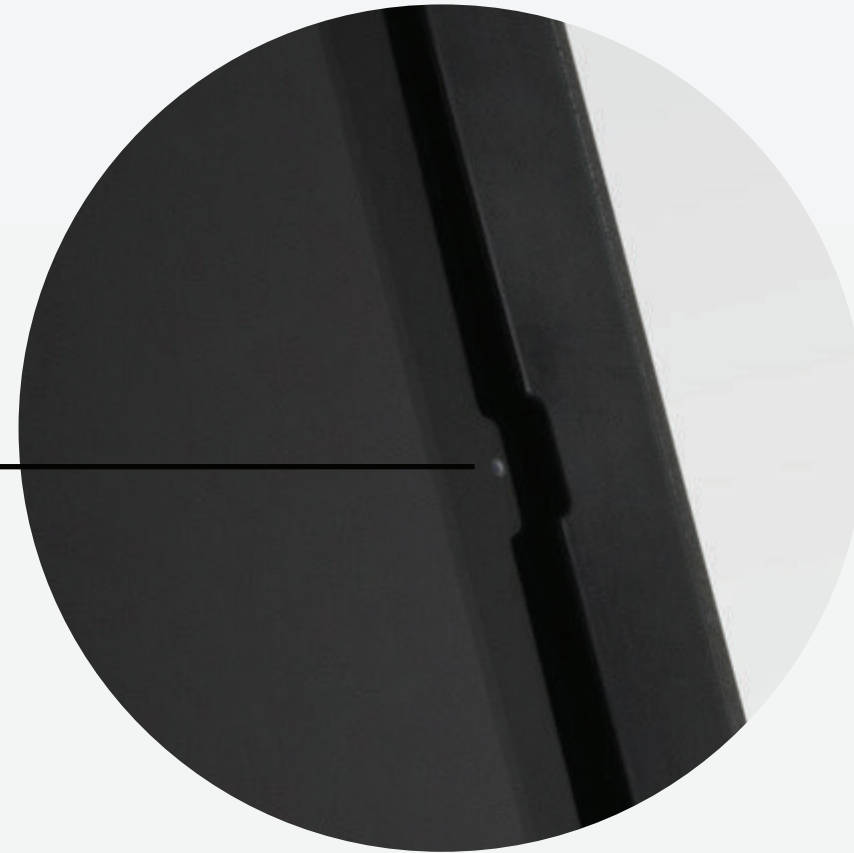
Concerned about security with a freestanding setup? Use a Kensington Lock to tether Link to an anchor point.



Feature Access

Use all your tablet's features without removing it from the stand - power, volume, front camera and home button.

Front camera



Home button



Feature Access

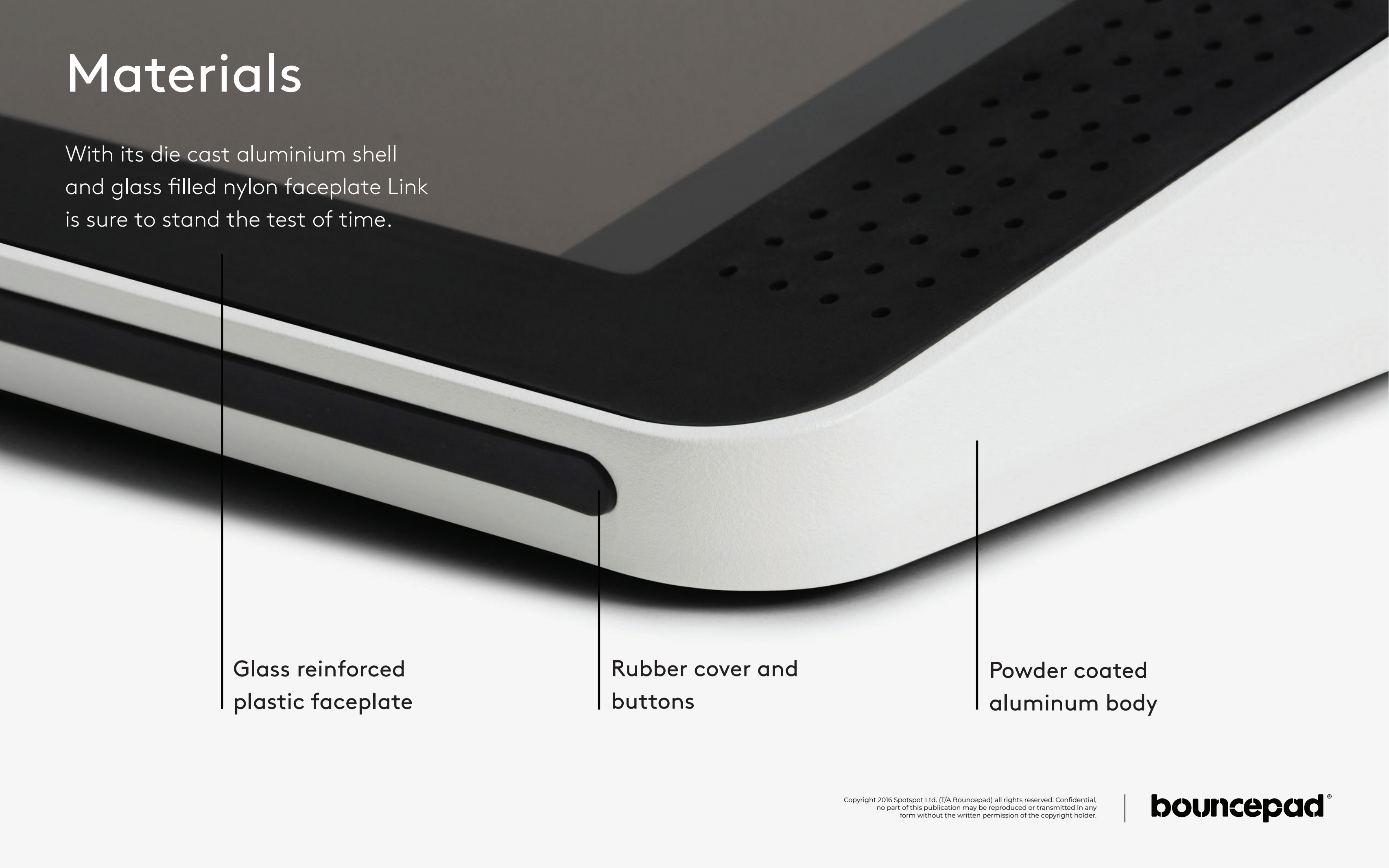
Volume button

Power button



Materials

With its die cast aluminium shell and glass filled nylon faceplate Link is sure to stand the test of time.



Glass reinforced
plastic faceplate

Rubber cover and
buttons

Powder coated
aluminum body

Colours

Click comes in three different colours, black, white and teal.



