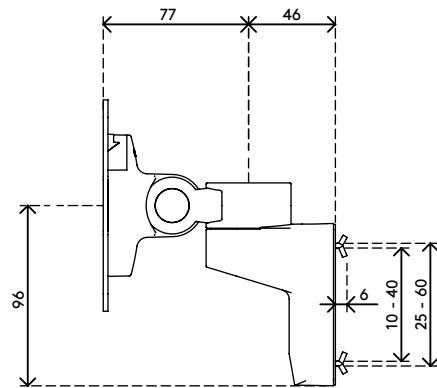
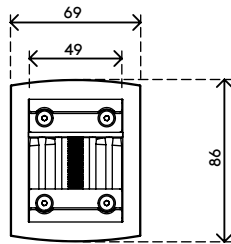
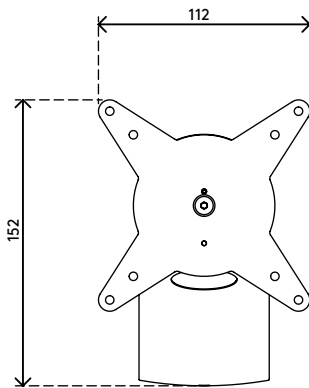
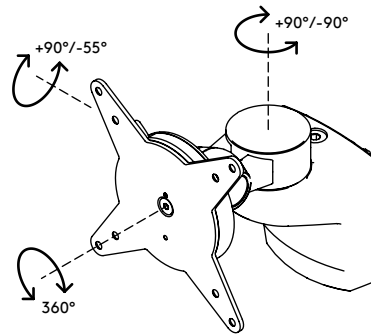
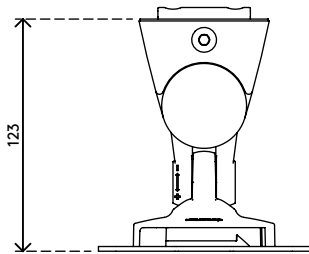
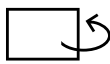


# viewlite



+90°/-55°



+90°/-90°



360°



75 x 75/100 x 100



8 kg

## Viewlite Monitorarm - Schiene 402

2019/06/24

# 58.402

 212 x 181 x 128 mm

 1 pcs

 silber-Weiß

 1,271 kg

 805410584023