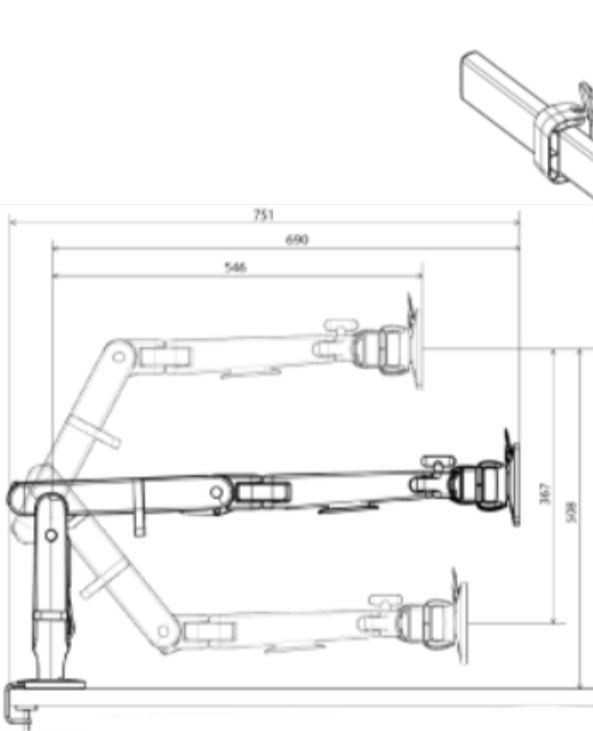
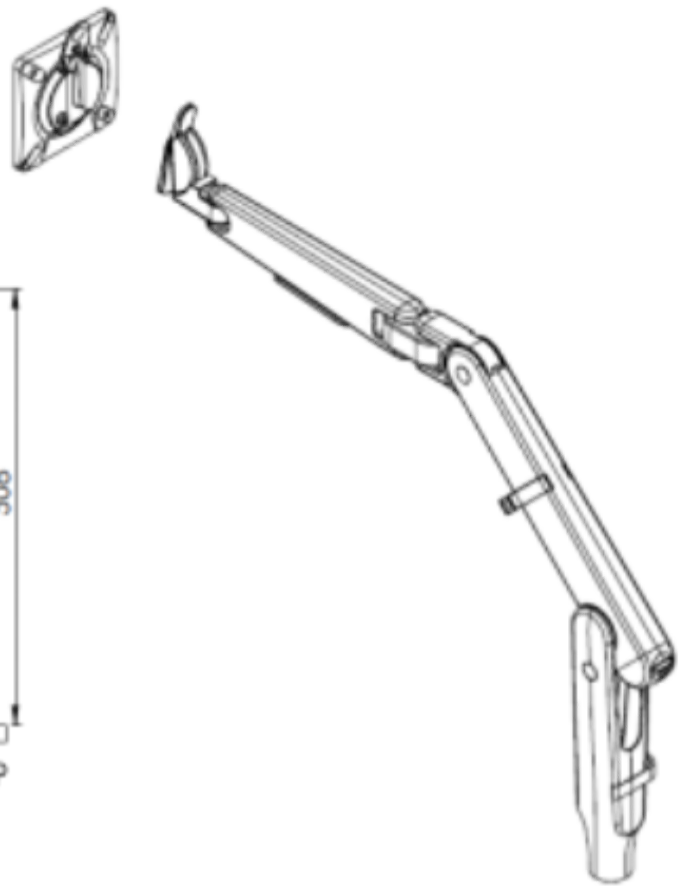
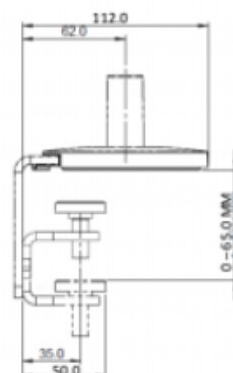
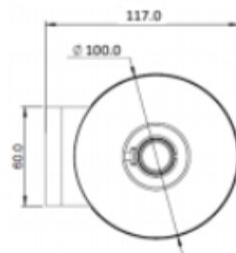
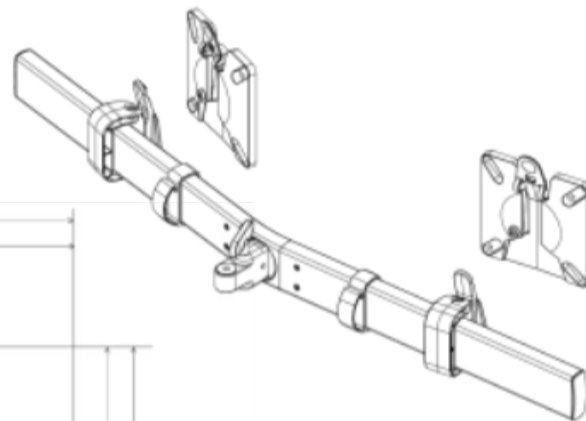


*Notedimensions are in mm



*Notedimensions are in mm



*Note dimensions provided are measured in mm

